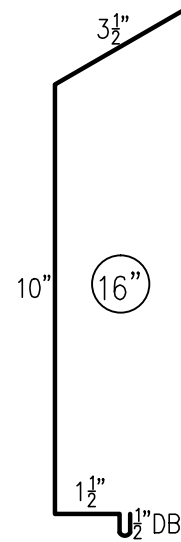
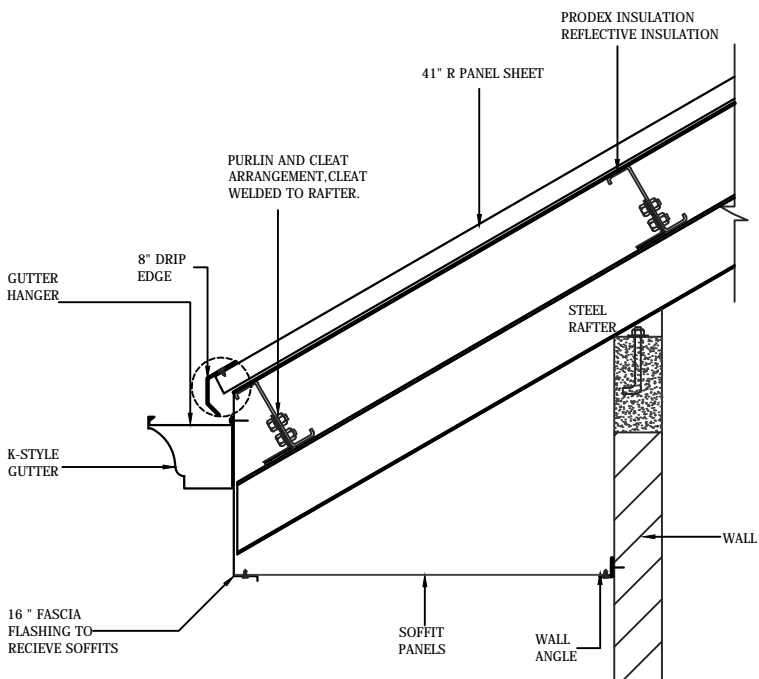


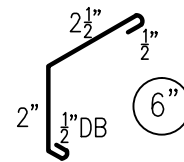
R-PANEL EAVE DETAIL WITH GUTTER EXTENSION
Scale:



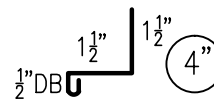
EAVE FASCIA



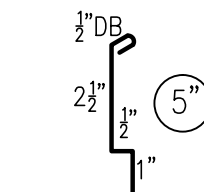
R-PANEL EAVE DETAIL WITH DRIP EDGE
Scale:



DRIP EDGE



WALL ANGLE



GUTTER EXTENSION

DRAWN BY: L.S

TITLE: Eave & Flashing Detail for R-Panel

Project:
R-PANEL SHOP DRAWINGS

SHOP DRAWING #: LTR-RP-001

CHECKED BY: M.J

SCALE : NOT TO SCALE



LOT 26C & F O' MEARA INDUSTRIAL ESTATE,
ARIMA. TRINIDAD AND TOBAGO, W.I.