

## Unique product features

**The new head design** has a 10% larger surface area and a more pronounced concave shape than conventional products, to hold the sealing washer more securely. This reduces the common problem of washer damage. Available head painted to match all popular Colorbond® roofing colours.



**HiGrip® design feature** grips the sheeting to provide a positive joint. This prevents water entry, restricts over-drilling and stops the roof sheet moving down the shank when the roof is walked on.

\* Available on the 50mm & 65mm lengths.



**One class coating Climaseal® 4** meets AS3566 Class 4, enabling it to be used externally virtually anywhere, other than severe marine environments.



**Look for the BX Z4 symbol** on the screw head. It's your sign of quality. BX = Buildex, Z = Roof Zips, 4 = AS3566 Class 4



**The unique Shankguard® design feature** provides maximum resistance to corrosion. It protects the fastener shank from scratching and scouring that can occur when crest fixing metal roofing. This in turn keeps the corrosion coating intact and fully functioning, providing 60% more corrosion resistance.

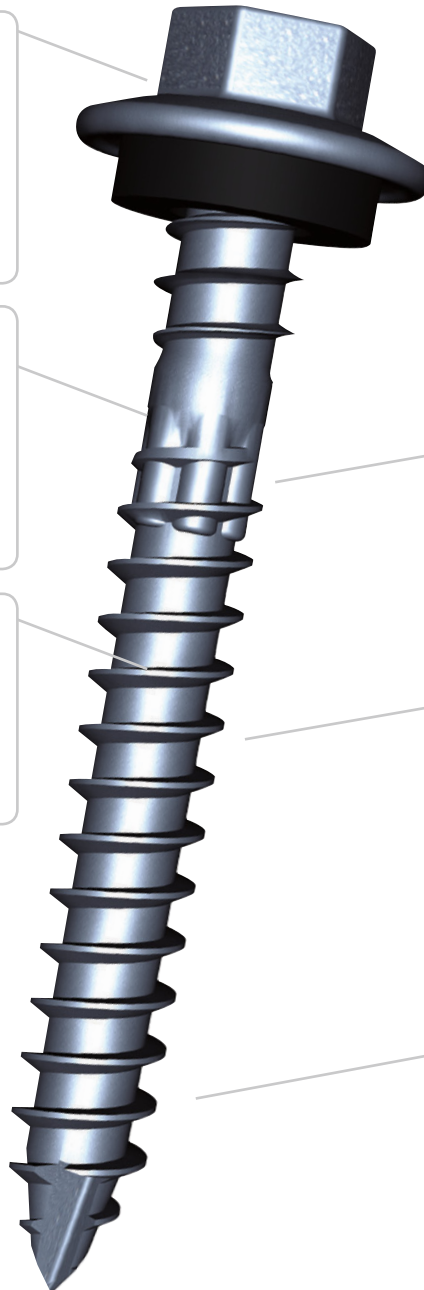
\* Available on the 50mm & 65mm lengths.



**Specially designed buttress thread** which, unlike conventional threads, has 30 degree angle on one side and 7 degree angle on the other. This reduces distortion when fixing to steel purlins or metal battens. As a result there is a stronger and more robust connection, greater pullout strength and a better ability to handle movement of steel sheeting.

**The unique patent protected point design** allows for quick and easy installation into timber battens\*, steel purlins up to 1.9mm\* thick and thin metal battens\*. The new point eliminates burring which can cause washer damage and allows for easy installation on a steep sloping roof or for close-to-the-edge fastening. It will eliminate skidding and scratching of the roof profile.

**PATENT  
PROTECTED**



## Selection Chart

Roofing Profile Type		Fastening To:		
		Steel Purlins 1.2mm - 1.9mm	Metal Battens 0.42mm - 0.75mm	Timber Battens Pine & Hardwood
<b>Corrugated Roofing</b>	<i>Valley Fixing</i>	<i>M6 x 25mm</i>	<i>M6 x 25mm</i>	<i>M6 x 25mm</i>
	<i>Crest Fixing</i>	<i>M6 x 50mm</i>	<i>M6 x 50mm</i>	<i>M6 x 50mm</i>
<b>Square-Rib Roofing</b>	<i>Valley Fixing</i>	<i>M6 x 25mm</i>	<i>M6 x 25mm</i>	<i>M6 x 25mm</i>
	<i>Crest Fixing</i>	<i>M6 x 50mm</i>	<i>M6 x 50mm</i>	<i>M6 x 65mm</i>