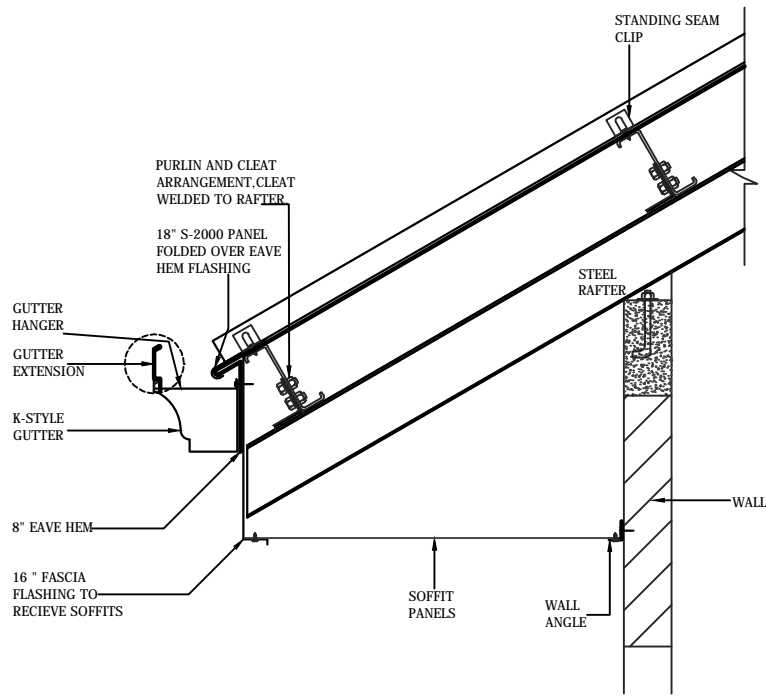
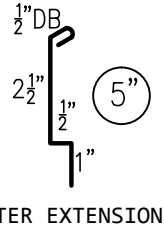
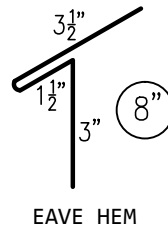
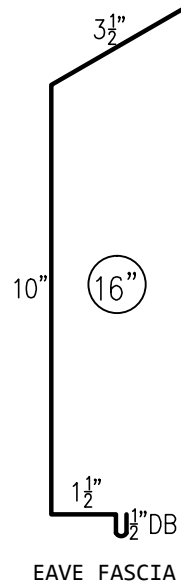
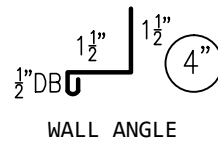
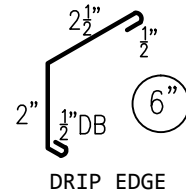


○ S-2000 EAVE DETAIL WITH DRIP EDGE
Scale:



○ S-2000 EAVE DETAIL WITH GUTTER EXTENSION
Scale:



DRAWN BY: L.S

TITLE: Eave & Flashing Detail for Standing Seam

CHECKED BY: M.J

Project: STANDING SEAM SHOP DRAWINGS

SHOP DRAWING #: LTR-SS-001

SCALE : NOT TO SCALE



LOT 26C & F O' MEARA INDUSTRIAL ESTATE, ARIMA, TRINIDAD AND TOBAGO, W.I.